

**Product Description**

The PaxScan 4336R is the first ruggedized-portable X-ray flat panel detector designed for mobile digital radiographic X-ray systems to fit existing 14"x17" standard bucky trays. Based upon the new Gigabit Ethernet interface, images are displayed on a user-supplied workstation.

**Technical Specifications**

Receptor Type	Amorphous Silicon with Charge Well Pixel™ Technology
Conversion Screen ...	Direct Deposit CsI, Detached CsI, DRZ Plus, or Gd <sup>2</sup> O <sub>2</sub> S: Tb (Kodak Lanex Screen)
Pixel Area	Total . . . . . 42.7 (h) x 35.6 (v) cm (16.8 x 14.0 inch) Active . . . . . 42.4 (h) x 35.3 (v) cm (16.7 x 13.9 inch)
Pixel Matrix	Total . . . . . 3,072 (h) x 2,560 (v) Active . . . . . 3,052 (h) x 2,540 (v)
Pixel Pitch	139 μm
Limiting Resolution	3.6 lp/mm
DQE (0) (RQA5)	70% ±5%
Energy Range	Standard . . . . . 40 - 150 kVp
Fill Factor	100%
Scan Method	Progressive
Data Output	Gigabit Ethernet
A/D Conversion	14-bits
Cycle Time (minimum / standard)	8 / 10 sec.
Exposure Control	Inputs: Prepare, Expose-Request Outputs: Expose-OK

**Software**

The software release includes ViVA™, a basic application for image acquisition and viewing on an end-user workstation or laptop running Microsoft® Windows™. The developer's software package includes a "Virtual Command Processor" software interface that performs detector calibration, detector set-up, image acquisition, and image corrections. ViVA™ includes file type translators for .viv, .raw, .jpg, and .bmp file formats. Windows® XP and Windows® 7 (32 bit) compatible.

**Environmental**

Shock	High-shock tolerance
Water	Water resistant
Temperature Range - Operating (at back cover)	10°C to 35°C (max.)
(Ambient) - Storage	-20°C to +70°C
Humidity - Operating (non-condensing)	10 to 90%
Storage (non-condensing)	10 to 90%
Atmospheric Pressure - Operating	70 kPa to 106 kPa
Storage	70 kPa to 106 kPa

**Regulatory**

U.S.	UL 60601-1
Canada	CSA 22.2 No. 601.1-M90

**Mechanical**

Weight	8.6 lbs. (3.9 kg)
Housing Material	Aluminum
Sensor Protection Material	Carbon fiber plate and aluminum

**Power**

Power Dissipation	30 watts (cont.) 35 watts (max.)
I/O Interface Box	100 - 240 VAC, 47 - 63 Hz (Up to 9m away from panel)

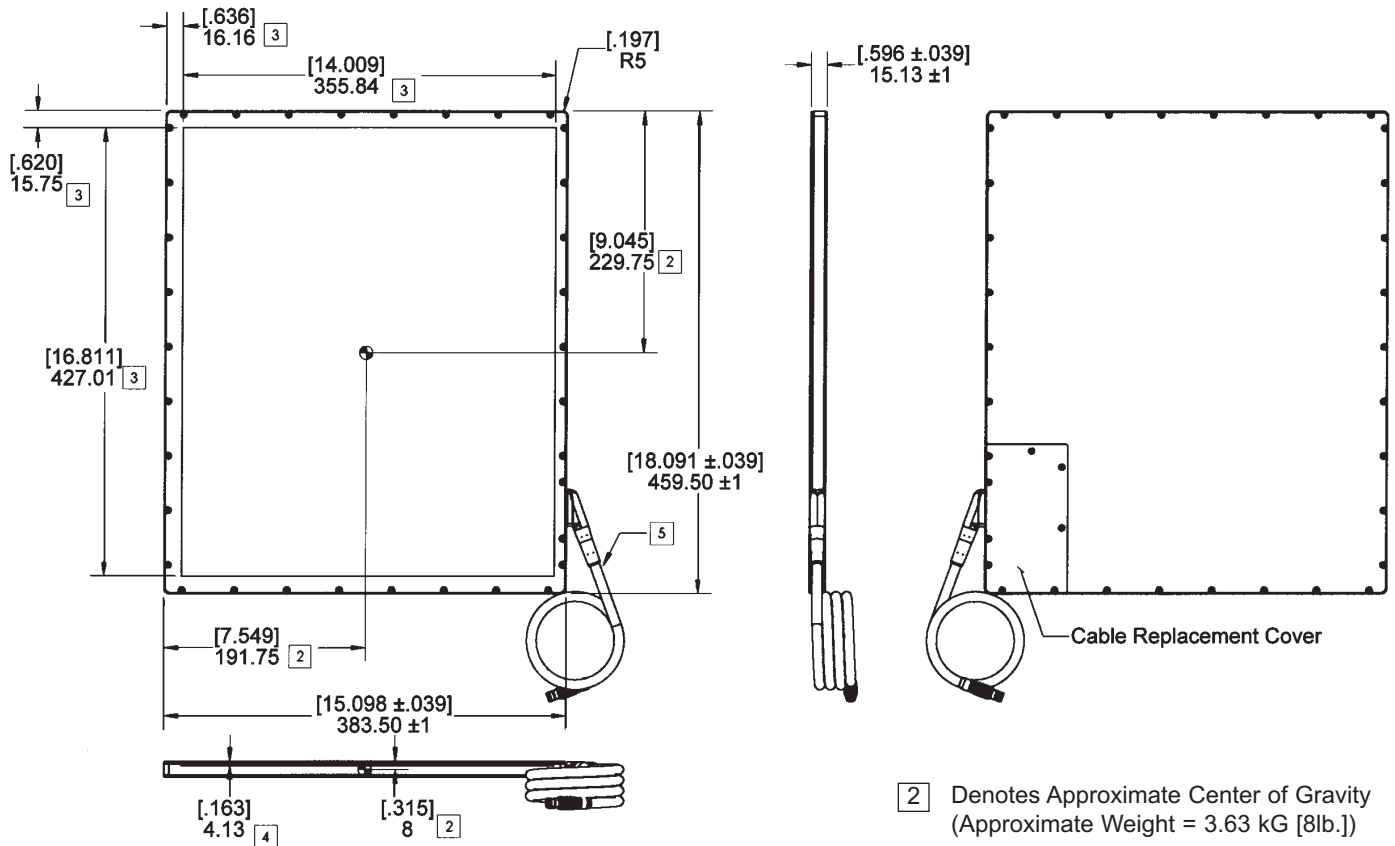
**Computer Requirements**

RAM	2.00 GB
CPU	Pentium dual core running @ 2.0 GHz or equivalent

®PaxScan is a Registered Trademarks of Varian Medical Systems

Drawings are for reference only

Dimensions are in inches [MM]



<p><b>VARIAN</b> medical systems</p>	<p><b>X-RAY PRODUCTS</b></p>
<p>Salt Lake City, UT      1-801-972-5000</p> <p>www.varian.com</p>	